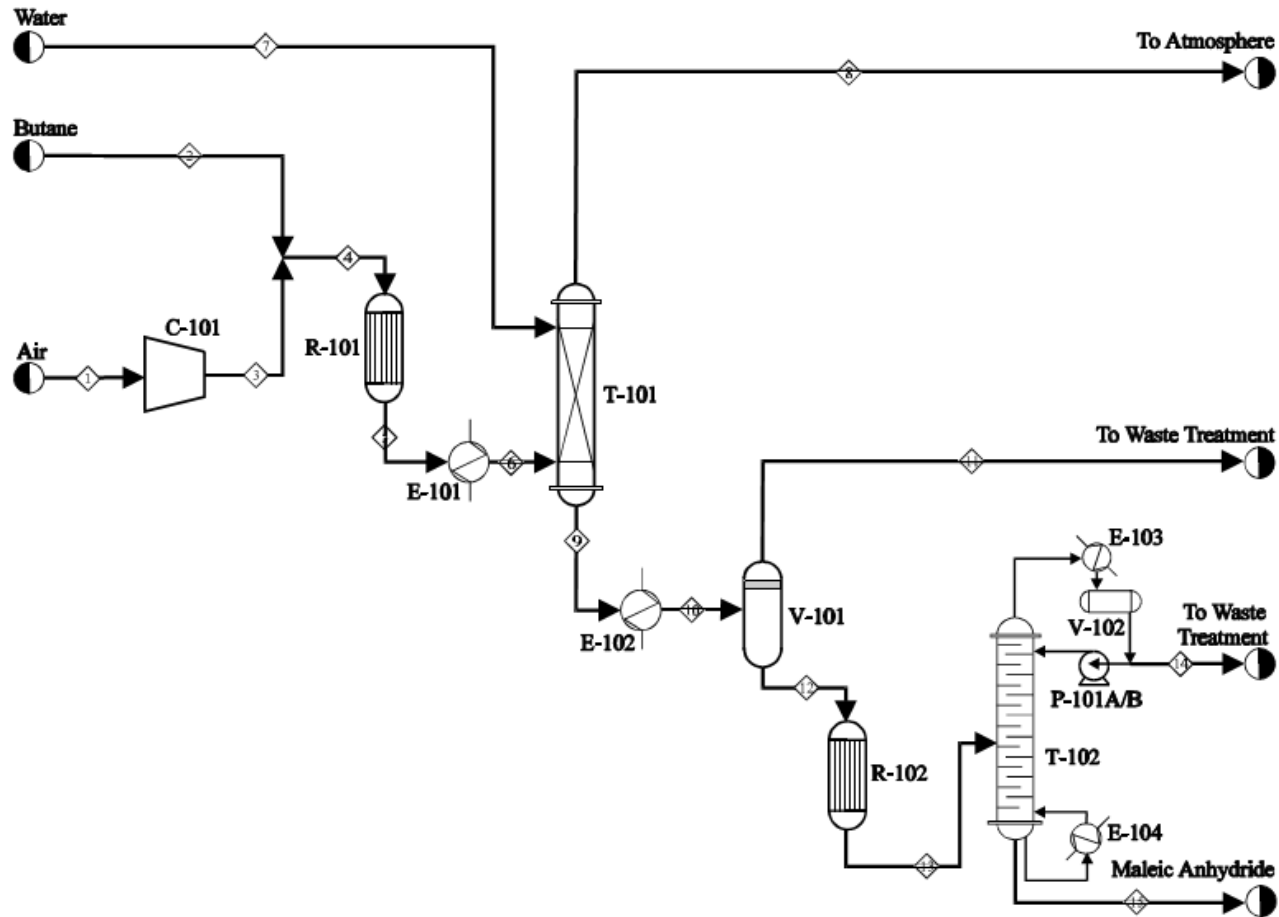


Tugas#1 Menggambar Teknik – 9 Mei 2017; Instructor: Rama Oktavian;

Type B

Production of Maleic Anhydride Process Flow Diagram (PFD)



Describe maleic anhydride production process from this PFD. Save your work with the following format #NIM#Name#ClassA/B#Type A/B/C and send it to [Oktavian.rama2@gmail.com](mailto:Oktavian.rama2@gmail.com) no later than 9 May 2017 5.00 p.m. (GMT+7)